

Product: Resistance power divider



Part Number: LPD-DC/18-4S

Specification					
No.	Parameter	Minimum	Typical	Maximum	Units
1	Frequency range	DC	-	18	GHz
2	Insertion Loss			15	dB
3	Phase Balance:		-	$\leq \pm 4^\circ$	°
4	Insertion loss	6			dB
5	Amplitude Balance		-	$\leq \pm 0.3$	dB
6	VSWR		-	$\leq 1.8 : 1$	-
7	Power Handling			1	W cw
8	Reverse power			0.3	W
9	Operating Temperature Range	-32	-	+85	°C
9	Impedance	-	50	-	Ω
10	Connector	sma-F			
	Preferred finish	Yellow conductive oxidation			

Remarks:

1. Include Theoretical loss 12db 2. Power rating is for load vswr better than 1.20:1

Environmental Specifications	
Operational Temperature	-40°C~+85°C
Storage Temperature	-50°C~+105°C
Vibration	25gRMS (15 degrees 2KHz) endurance, 1 hour per axis
Humidity	100% RH at 35°C, 95%RH at 40°C
Shock	20G for 11msec half sine wave, 3 axis both directions
Mechanical Specifications	
Housing	Aluminum
Connector	Tri-metal plated brass or Gold plated brass
Female Contact:	gold plated beryllium bronze
Rohs	compliant
Weight	0.2kg

Outline Drawing:

成都利德尔科技有限公司 ChengDu Leader Microwave Technology Co.,Ltd

电话: 028-65199117 传真: 028-65199116

<http://www.leadermicrowave.com> sales@leader-mw.com

TEL: +86-28-65199117 FAX: +86-28-65199116

Add: 中国 成都市成华区华翰路 89 号 610000

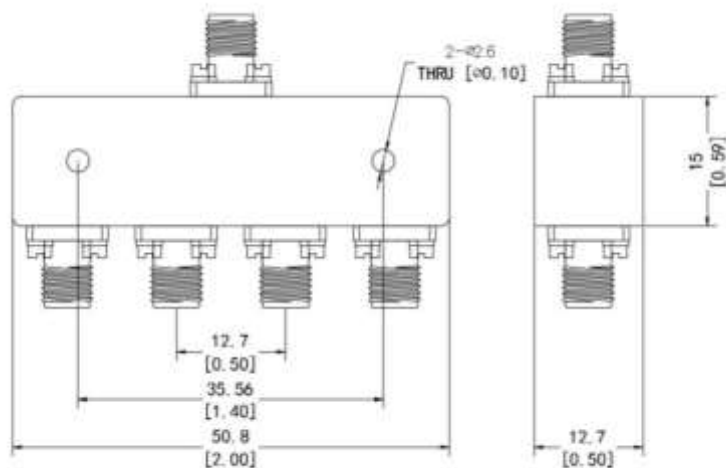
No.89,Huahan Road, chenghua Zone Chengdu, Sichuan China Zip Code:610000

All Dimensions in mm

Outline Tolerances $\pm 0.5(0.02)$

Mounting Holes Tolerances $\pm 0.2(0.008)$

All Connectors: SMA-Female



Test plots

成都利德尔科技有限公司 ChengDu Leader Microwave Technology Co.,Ltd

电话: 028-65199117 传真: 028-65199116

<http://www.leadermicrowave.com> sales@leader-mw.com

TEL: +86-28-65199117 FAX: +86-28-65199116

Add: 中国 成都市成华区华翰路 89 号 610000

No.89,Huahan Road, chenghua Zone Chengdu, Sichuan China Zip Code:610000